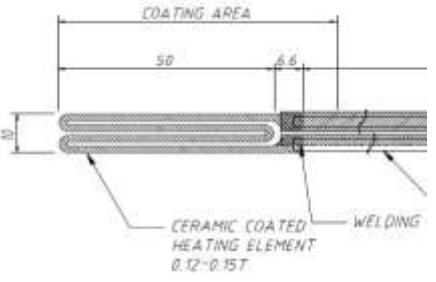
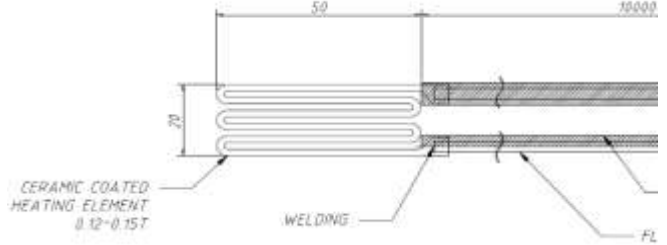
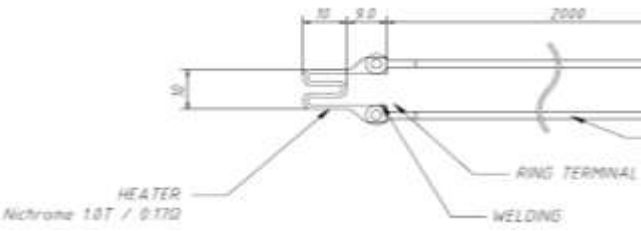


Heater information

Item	Heating element #1	Heating element #2	Heating element #3
Design			
Size (L x W x H)	50mm x 10mm x 1.0mm (+0.1mm)	50mm x 20mm x 1.0mm (+0.1mm)	10mm x 10mm x 1.0mm (+0.1mm)
Resistance Wire Material	Ni-Cr (surface coating with Al ₂ O ₃)		
Resistance Wire Width	1.6mm		
Resistance	~0.25Ω	~0.4Ω	~0.1Ω
Manufacturer	Latron (Korea)		
Power	Max 600W		
Max Temperature	~1,000°C		

